


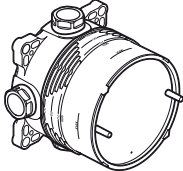

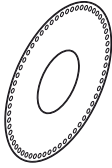



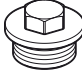

# Box Universal

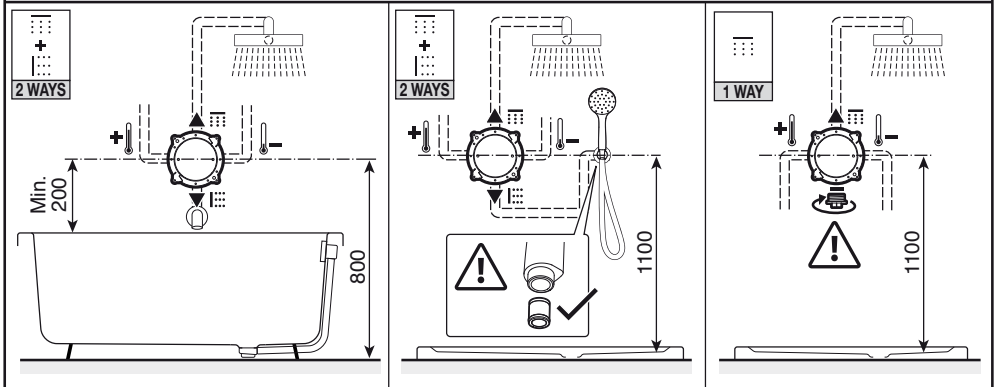
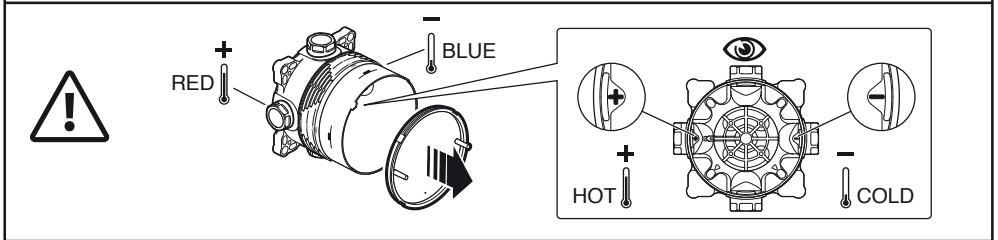
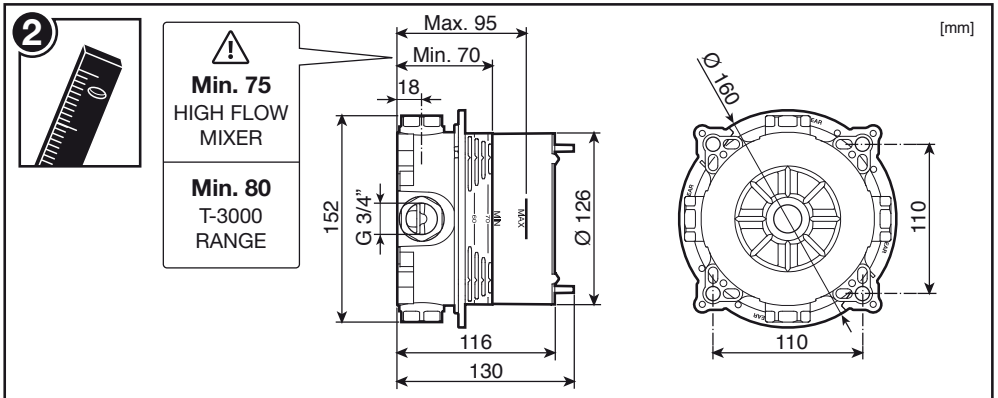


A525869403



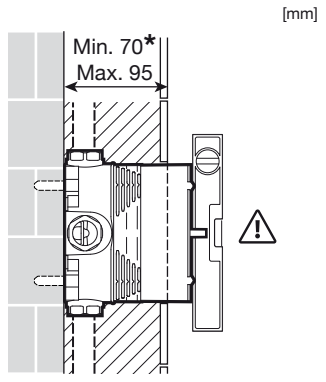
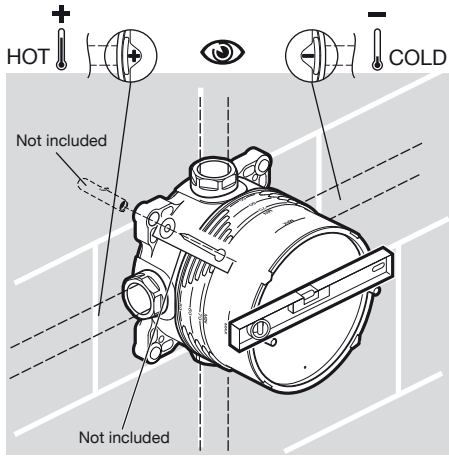
**Roca**

				
				
	x1	x1	x1	x1
	x2	x1	x1	x1



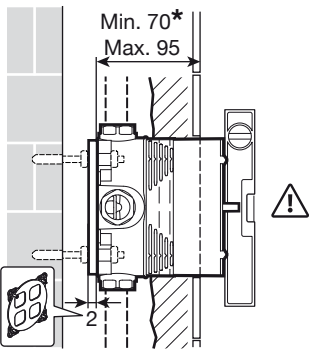
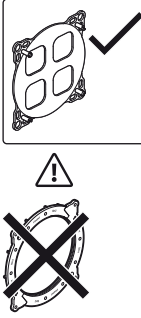
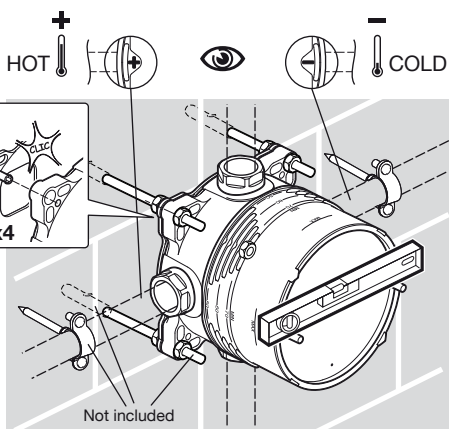


**A**



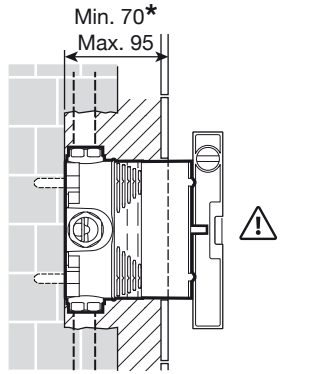
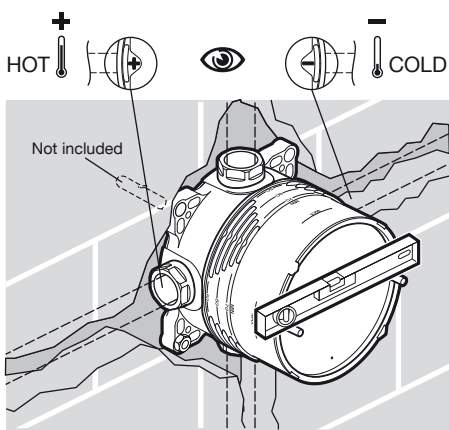
[mm]  
\*  
Min. 75 for HIGH FLOW ref: A5A9A4A.../A5A9B4A  
Min. 80 for T3000 ref: A5A2109... / A5A2K09...

**B**

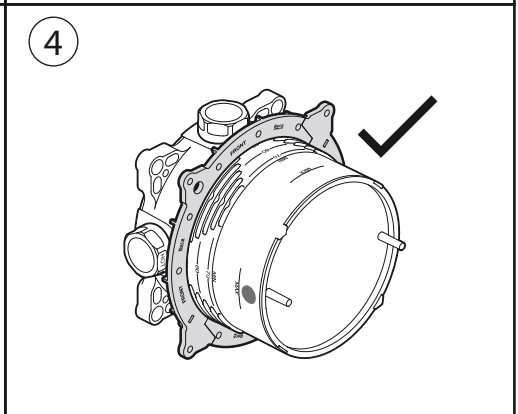
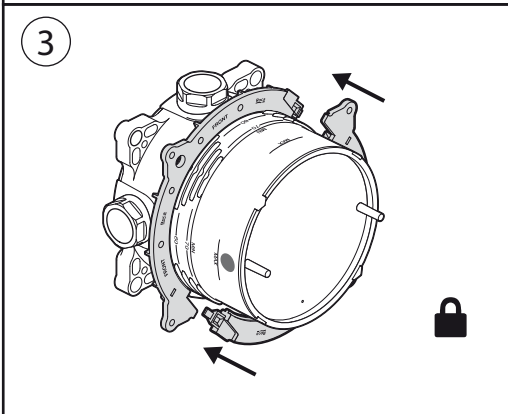
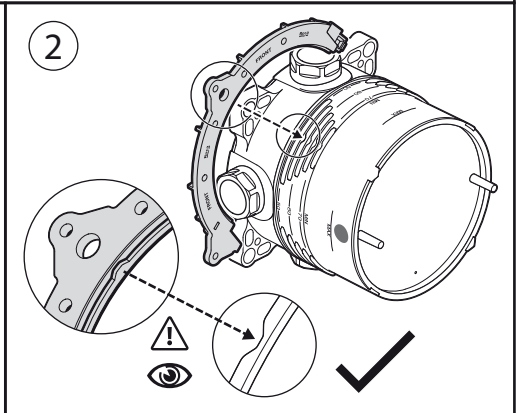
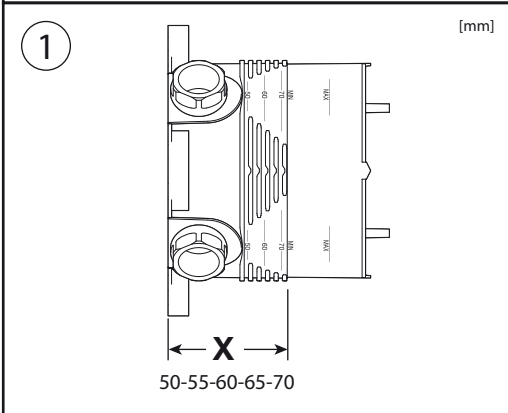
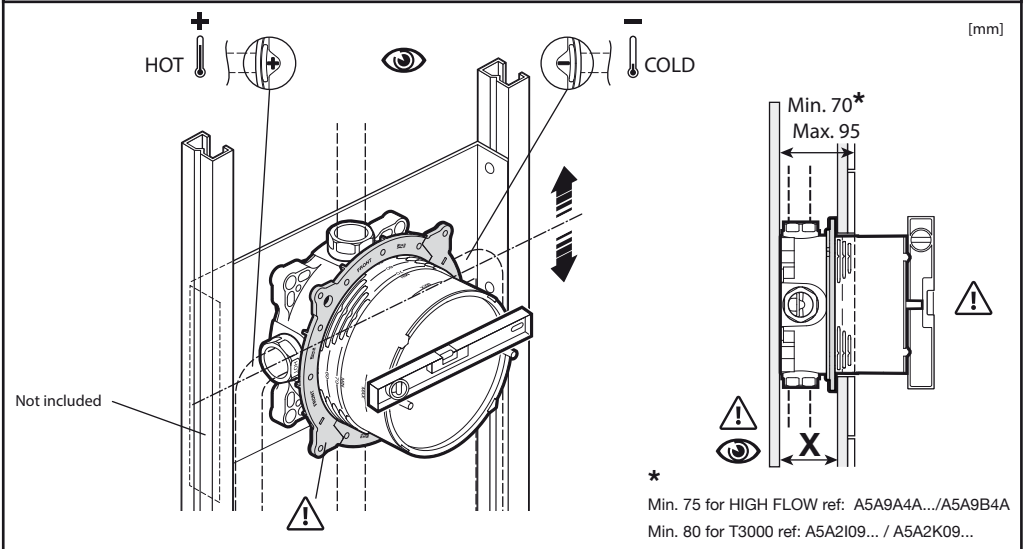


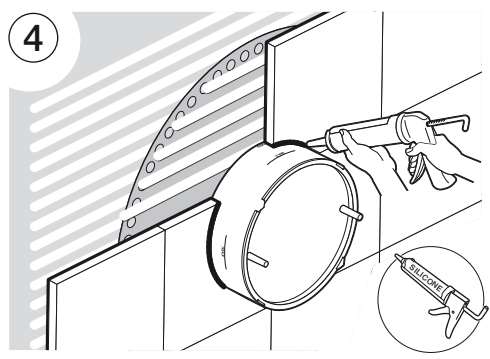
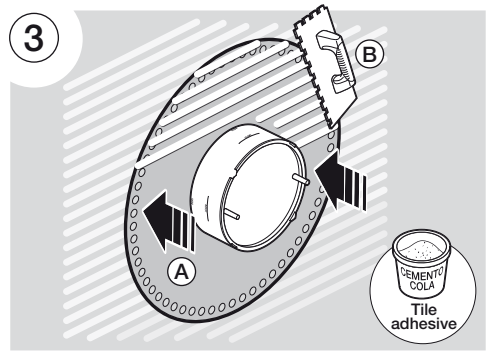
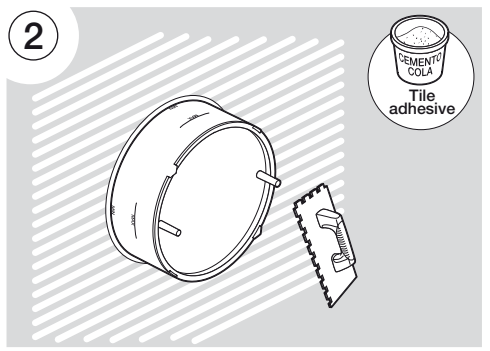
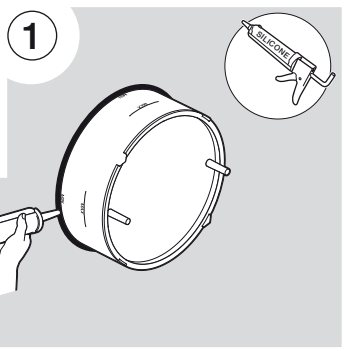
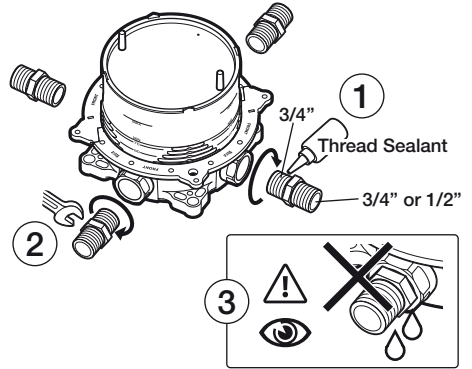
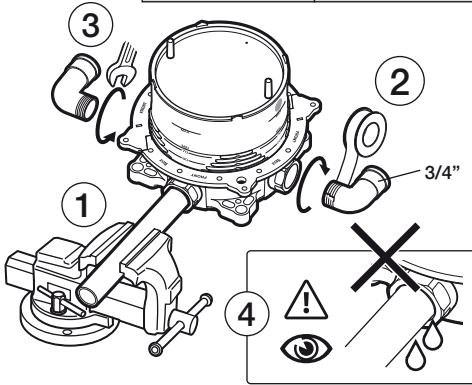
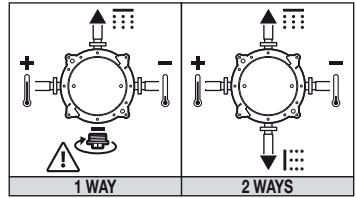
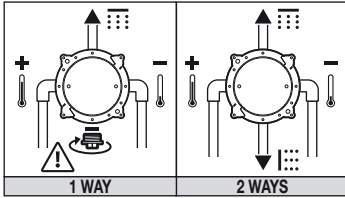
\*  
Min. 75 for HIGH FLOW ref: A5A9A4A.../A5A9B4A  
Min. 80 for T3000 ref: A5A2109... / A5A2K09...

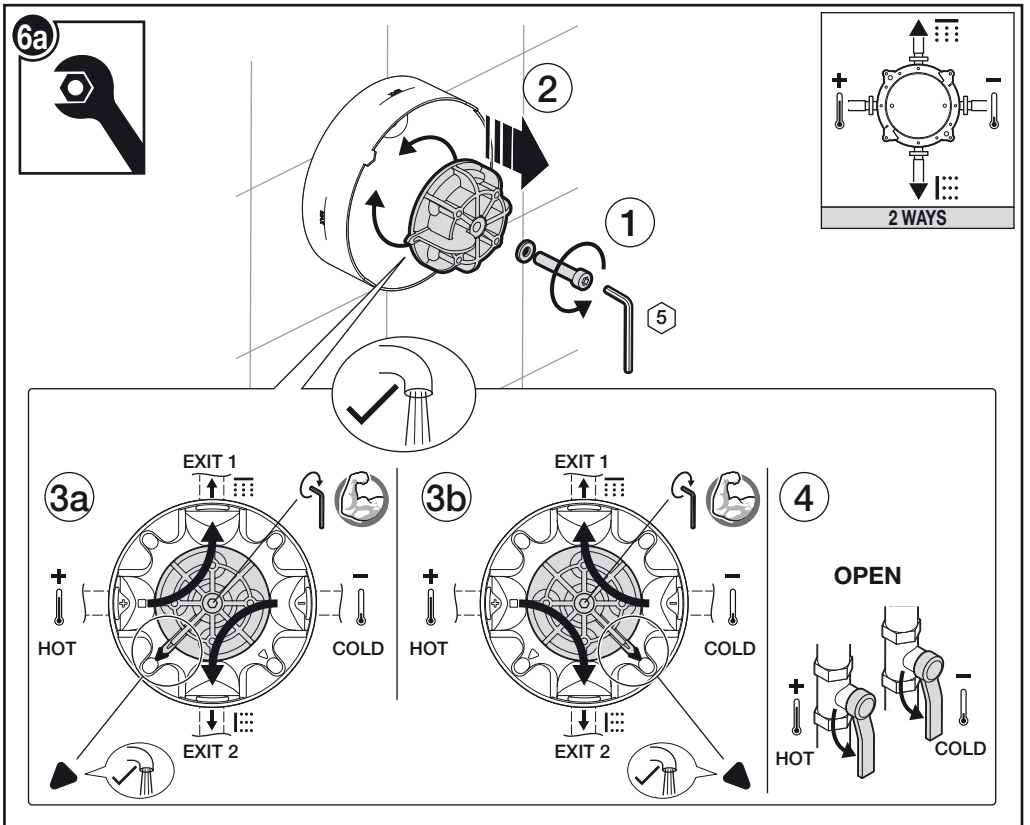
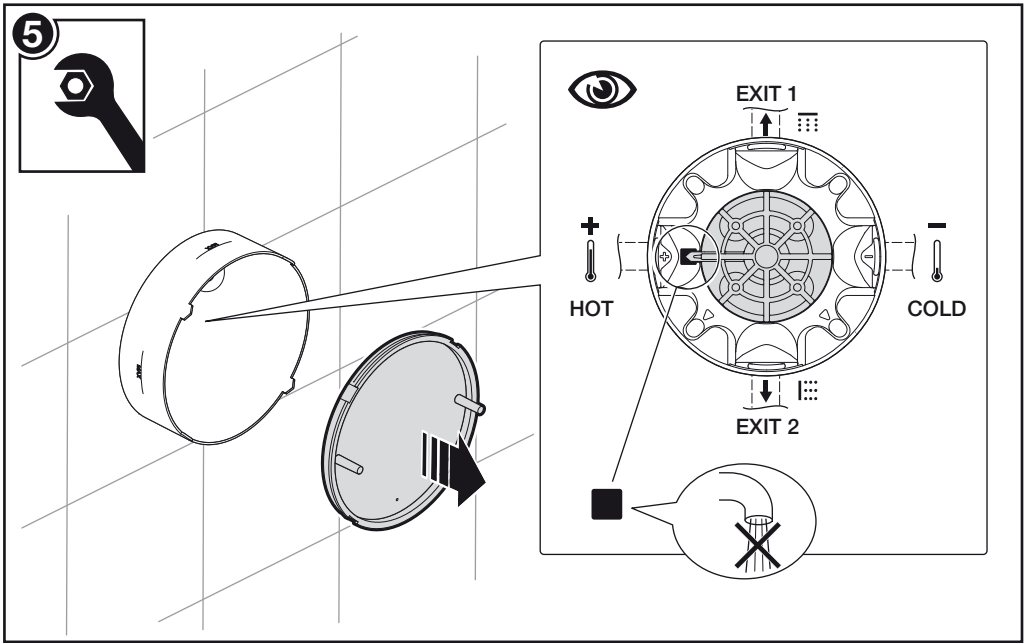
**C**

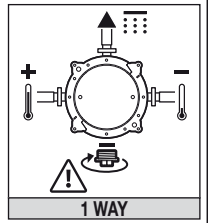
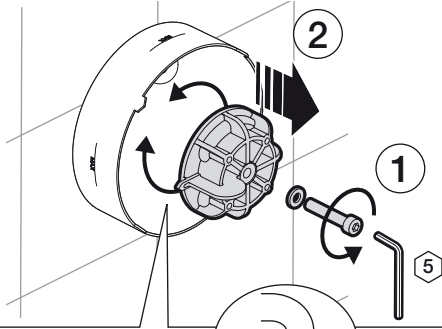


\*  
Min. 75 for HIGH FLOW ref: A5A9A4A.../A5A9B4A  
Min. 80 for T3000 ref: A5A2109... / A5A2K09...

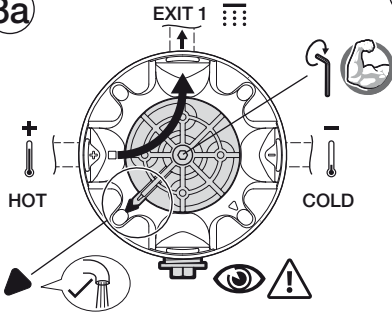




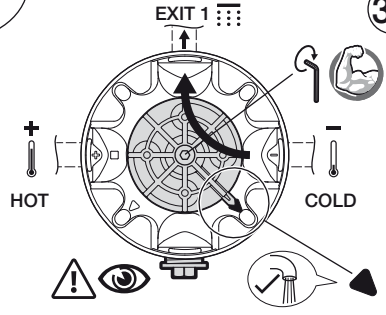




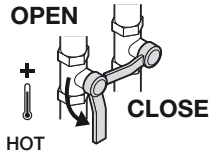
3a



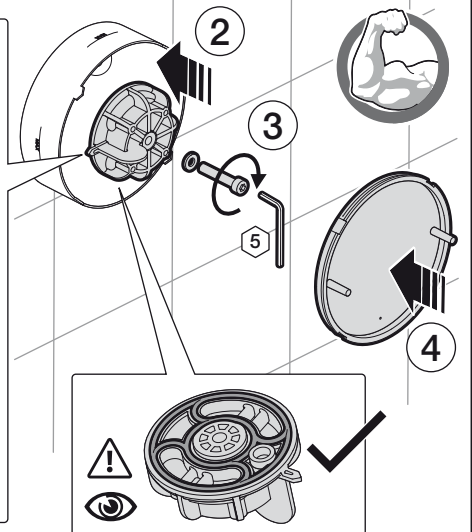
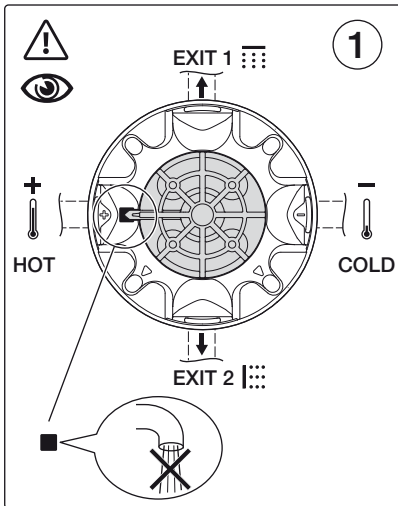
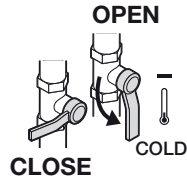
3b



4a



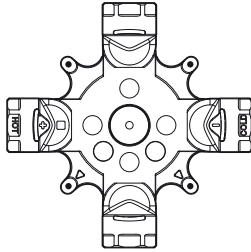
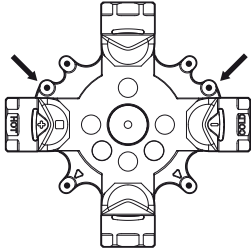
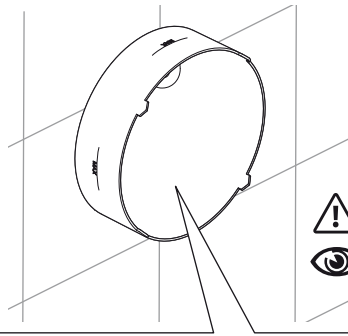
4b



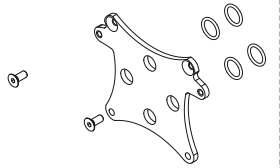
8



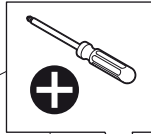
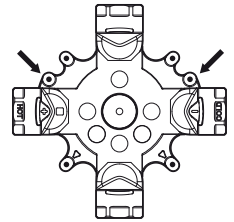
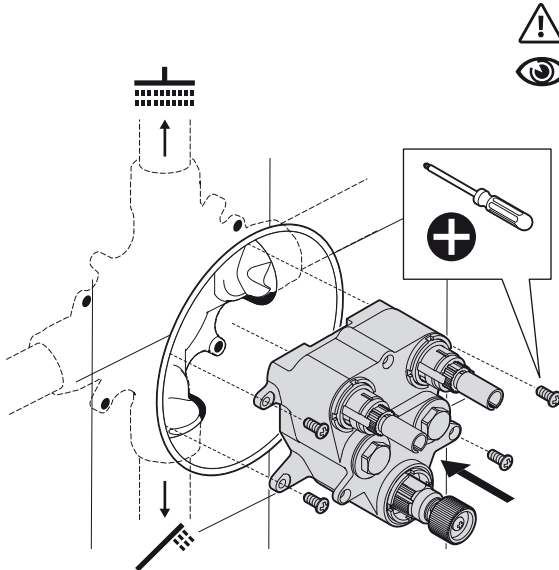
Solo  
Only  
T-3000

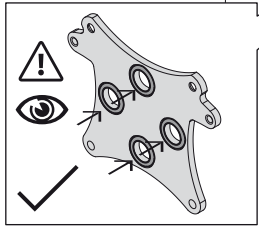
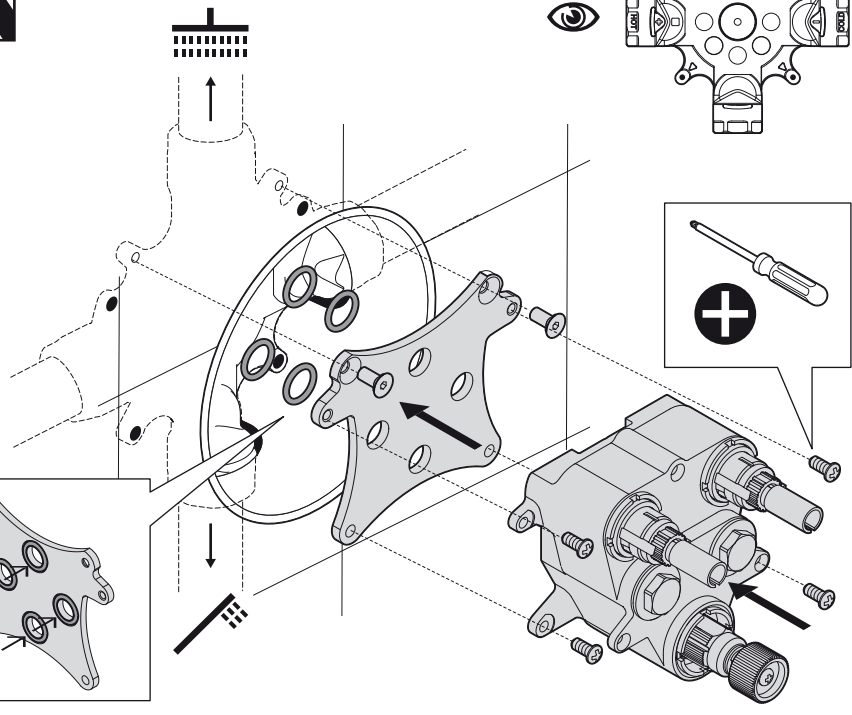
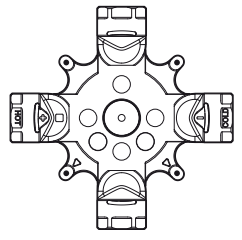


AG0292300R



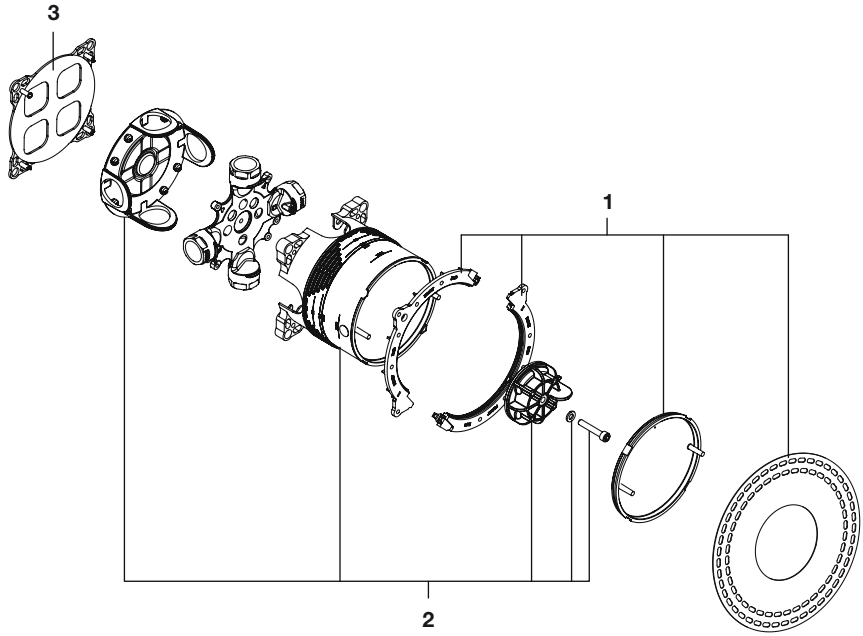
9a





















- 1 AG0120000R
- 2 AG0119900R
- 3 AG0198400R



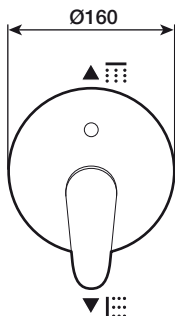
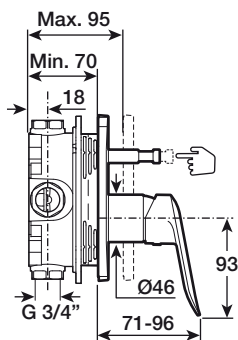
 <b>P</b> 	P bar		<b>TEST</b> 
 <b>P</b> 	P bar		 
  <b>T</b>	°C		 

# LOGICA

A5A0B27...



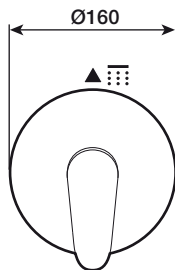
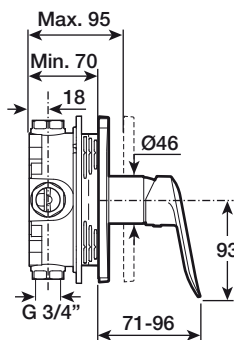
2 WAYS



A5A2B27...



1 WAY

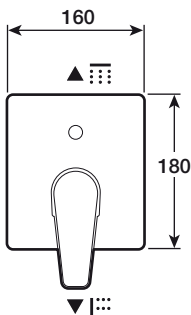
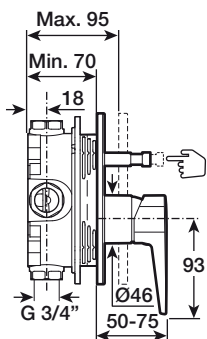


# ESMAI

A5A0B31...



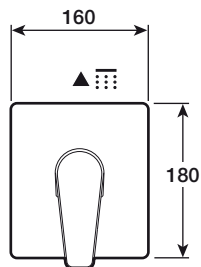
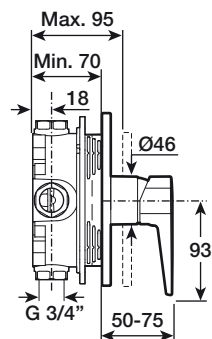
2 WAYS



A5A2B31...



1 WAY

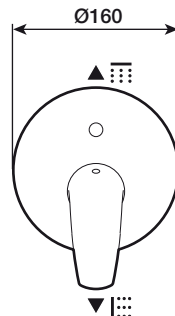
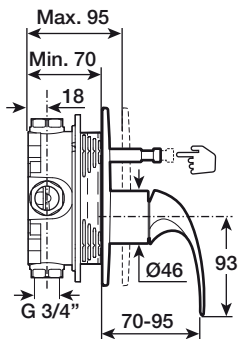


# M2

A5A0B68...



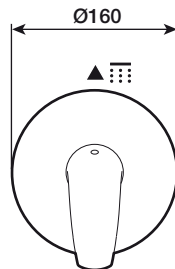
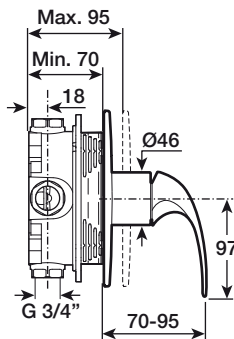
2 WAYS



A5A2B68...

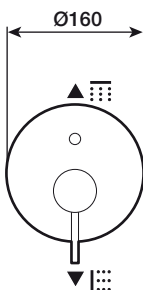
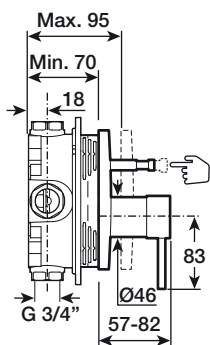


1 WAY

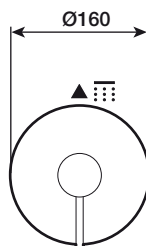
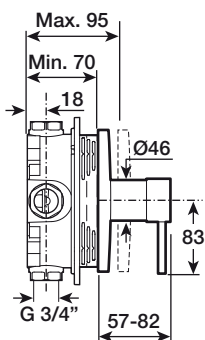


# LANTA

A5A0B11...

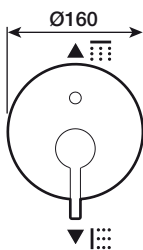
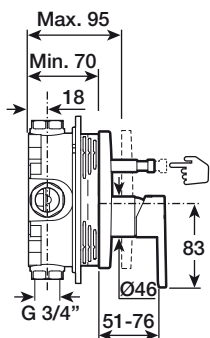


A5A2B11...

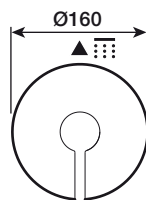
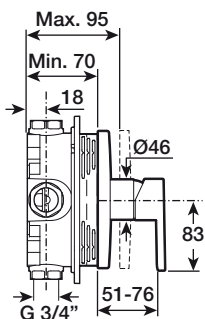


# NAIA

A5A0B96...

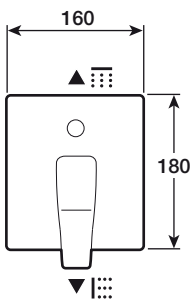
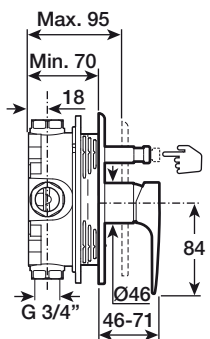


A5A2B96...

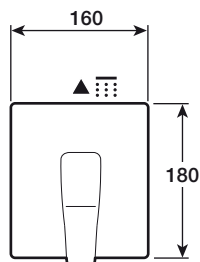
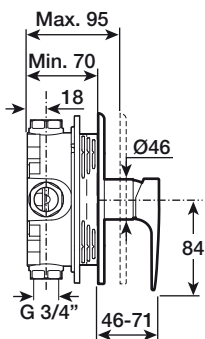


# THESIS

A5A0B50...

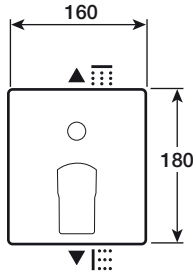
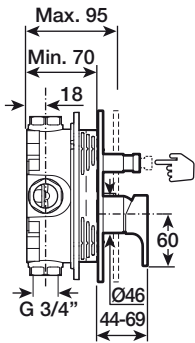


A5A2B50...

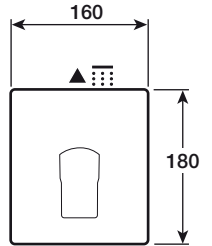
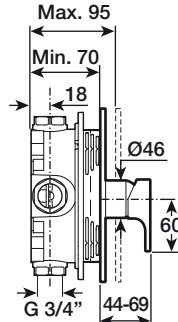


# L90

A5A0B01...

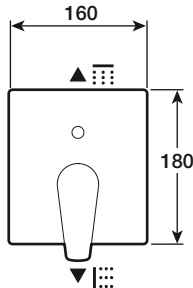
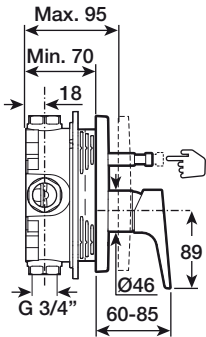


A5A2B01...

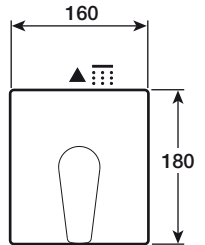
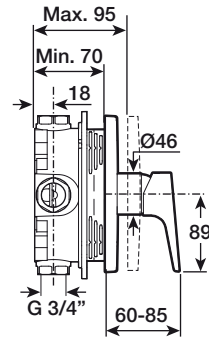


# ATLAS

A5A0B90...

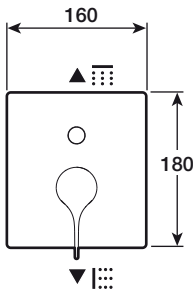
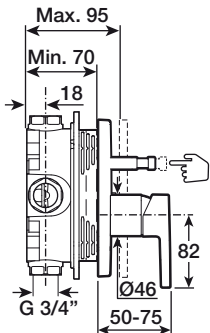


A5A2B90...

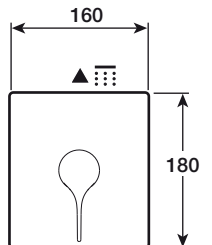
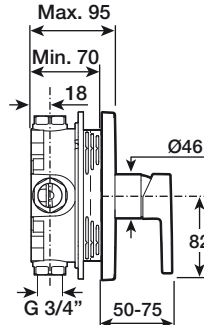


# INSIGNIA

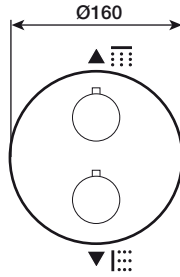
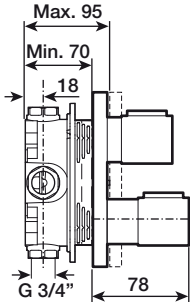
A5A0B3A...



A5A2B3A...



# T1000



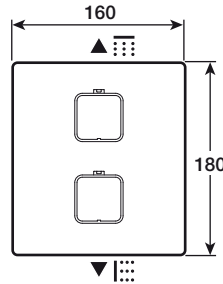
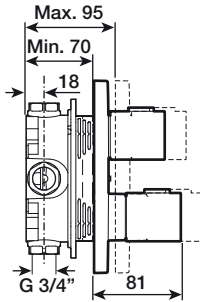
A5A0C09...



A5A2C09...



# T1000 SQUARE



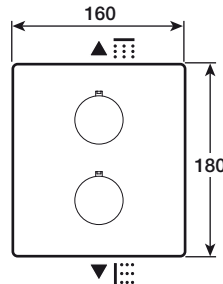
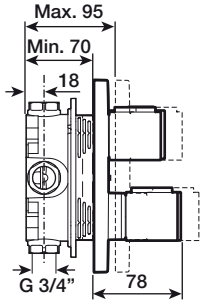
A5A0C1A...



A5A2C1A...



# T2000



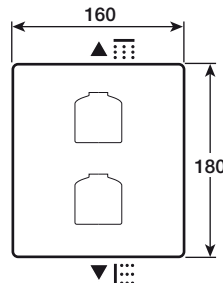
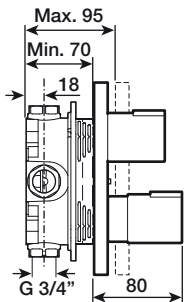
A5A0C88...



A5A2C88...



# L90-T



A5A0C01...

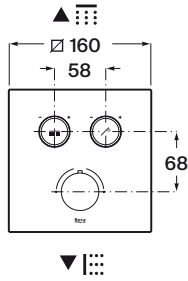
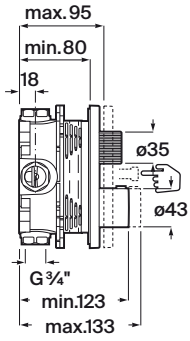


A5A2C01...



# T-3000

A5A2I09...



A5A2K09...

