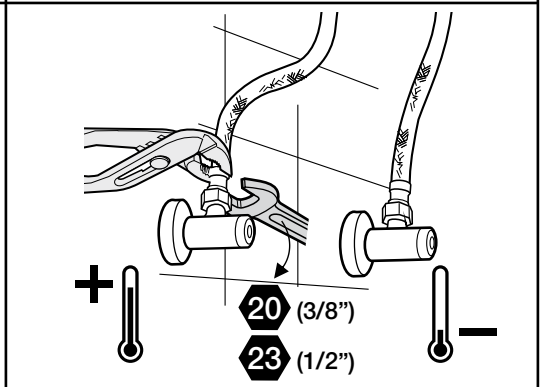
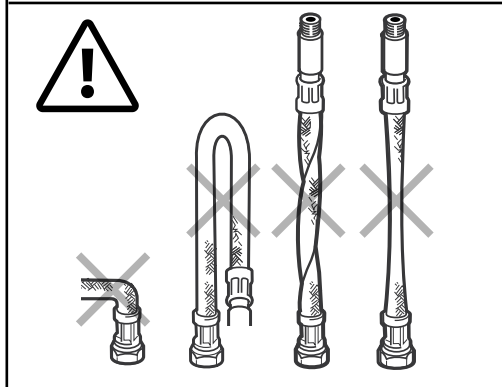
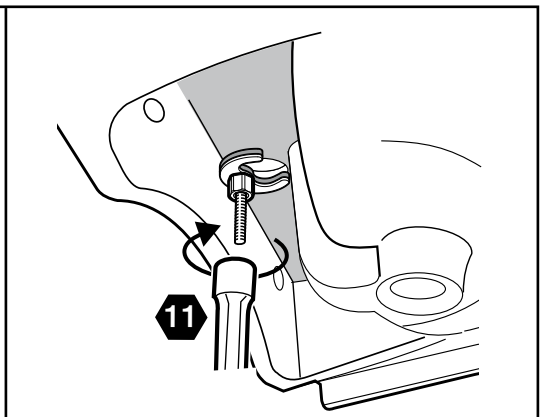
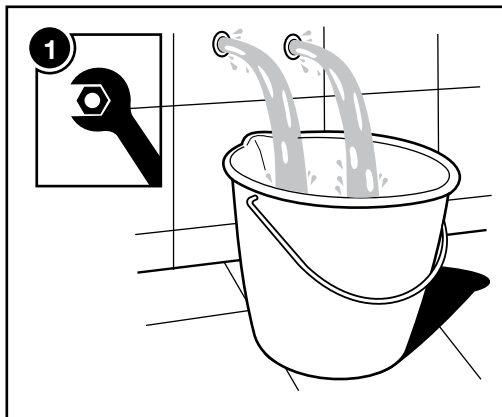













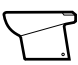
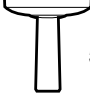

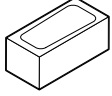


**Roca**

# CARMEN



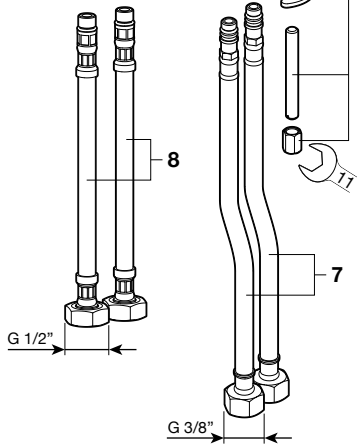
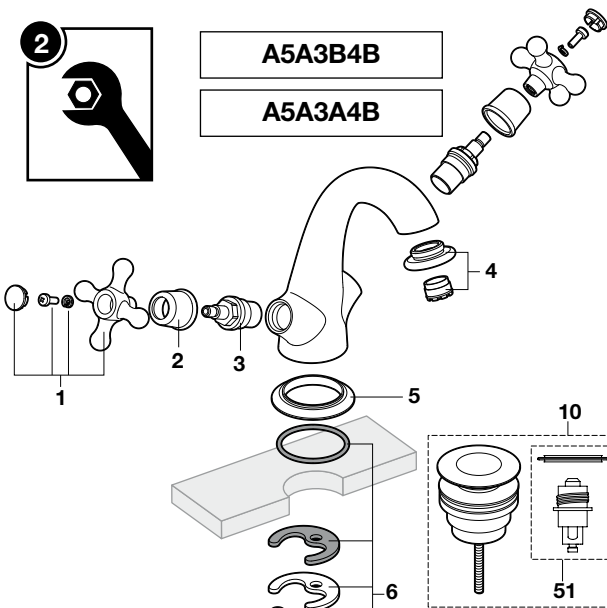


 <b>P</b> 	<b>P</b> bar	 <b>MAX.</b> 10			
 <b>P</b> 	<b>P</b> bar	<b>MIN.</b> 0,5  <b>MAX.</b> 10	<b>3</b>  		
 <b>T</b>	<b>°C</b>	 <b>-80 MAX.</b> <b>-45 MIN.</b>	 <b>-65</b> <b>-50</b> 		
 <b>Q</b> (3 bar)	<b>l/min</b>	 <b>9</b>	 <b>5</b>	 <b>8</b>	 <b>20</b>

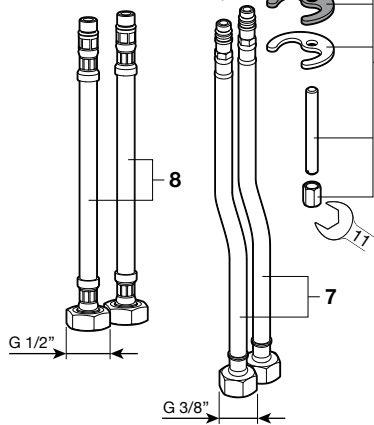
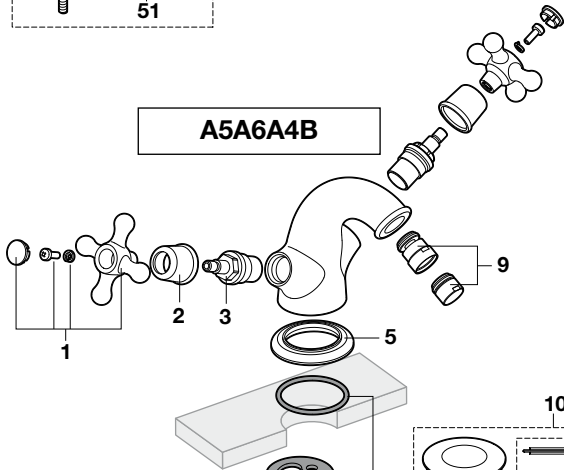


A5A3B4B

A5A3A4B



A5A6A4B

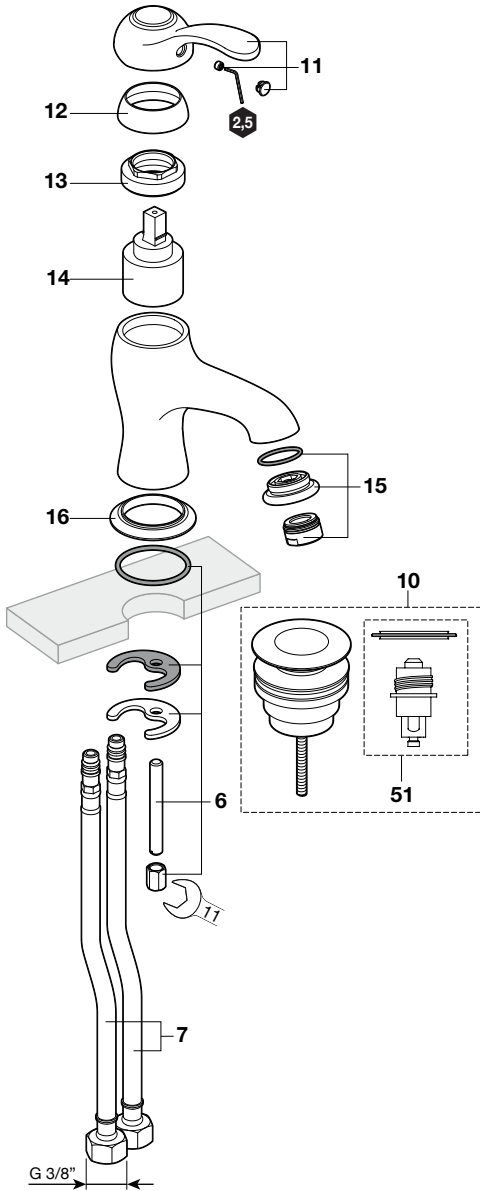


3

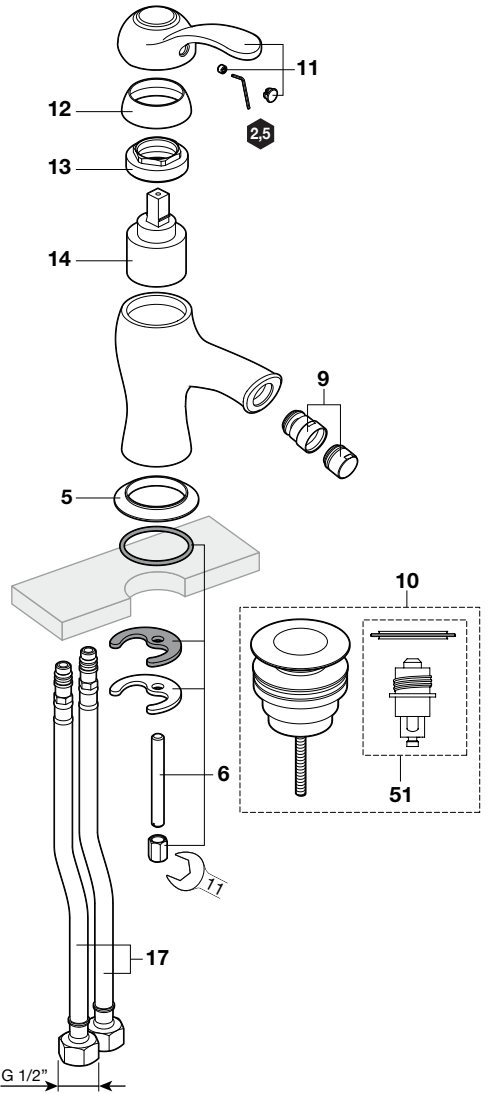


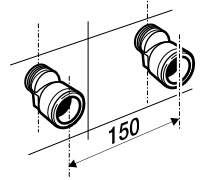
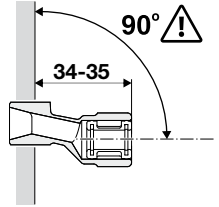
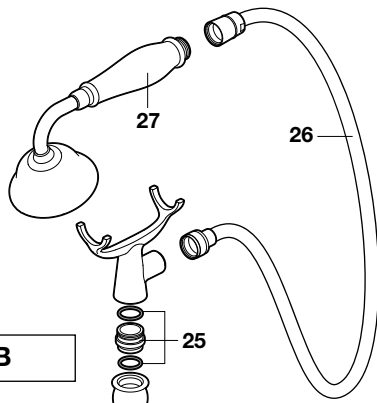
A5A304B

A5A314B

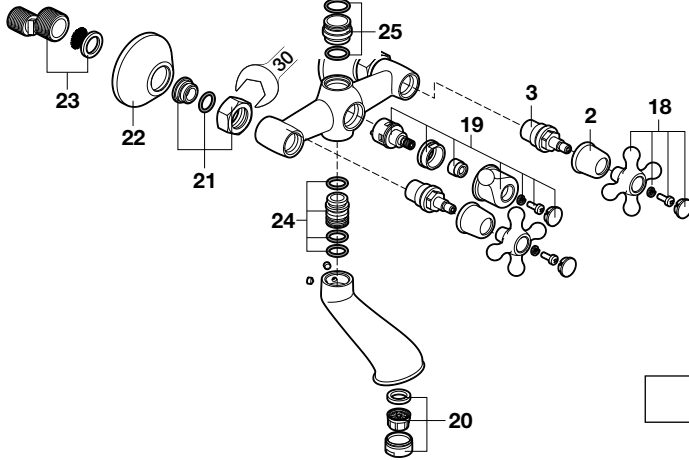


A5A604B

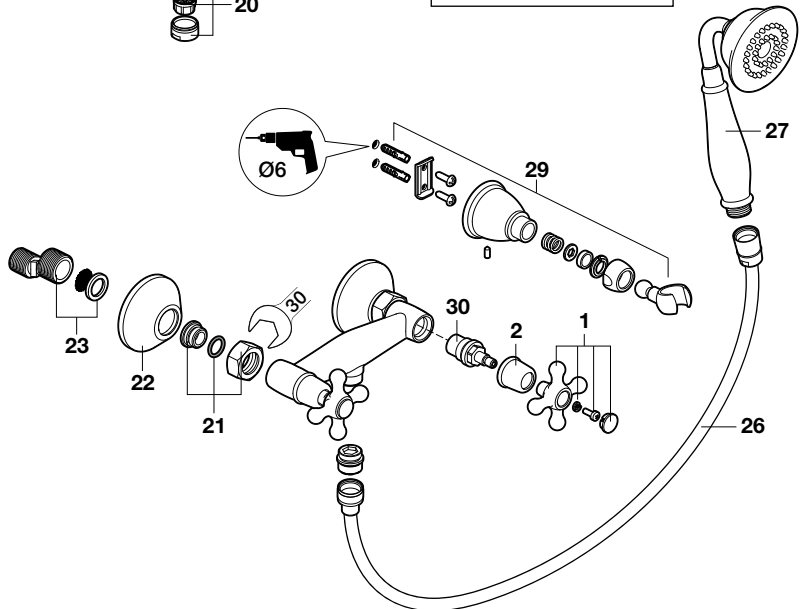




A5A014B



A5A204B



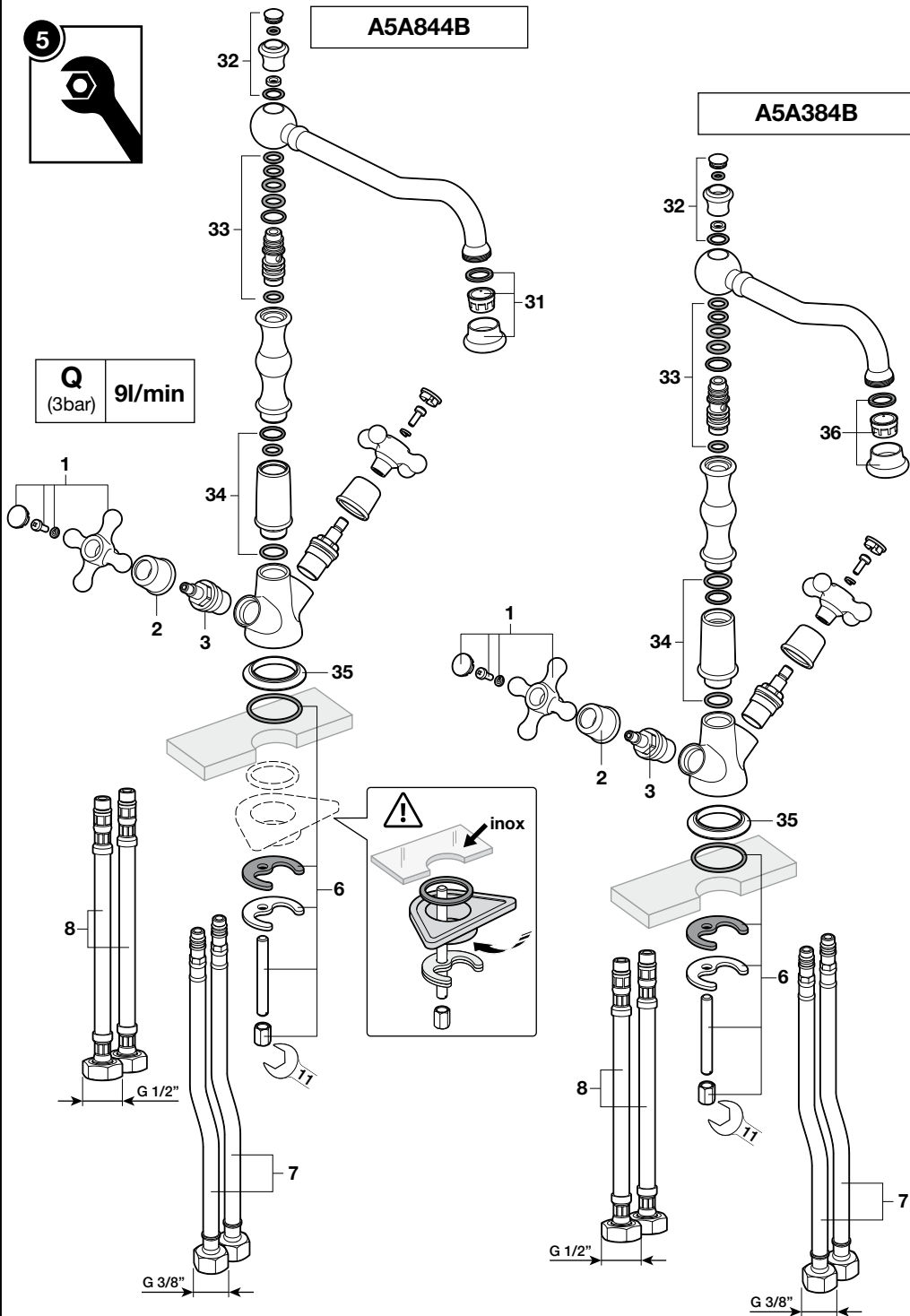
5



### A5A844B

### A5A384B

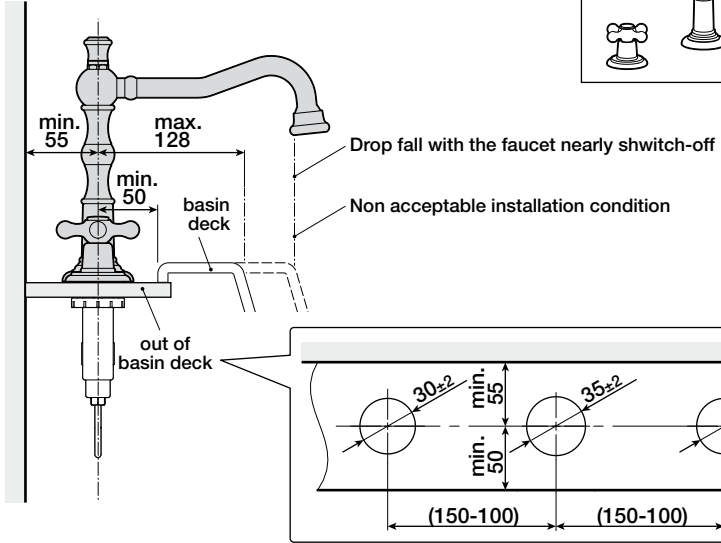
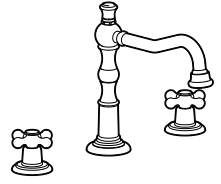
**Q**  
(3bar) **9l/min**



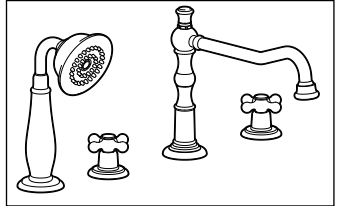
6



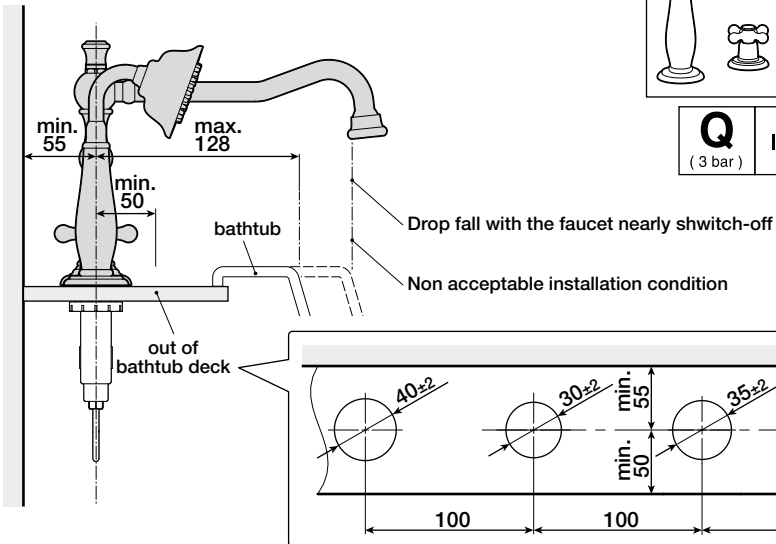
### A5A444B

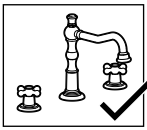


### A5A094B

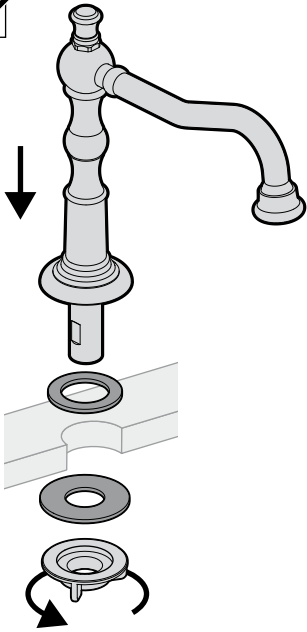


<b>Q</b> (3 bar)	<b>l/min</b>	24
---------------------	--------------	----

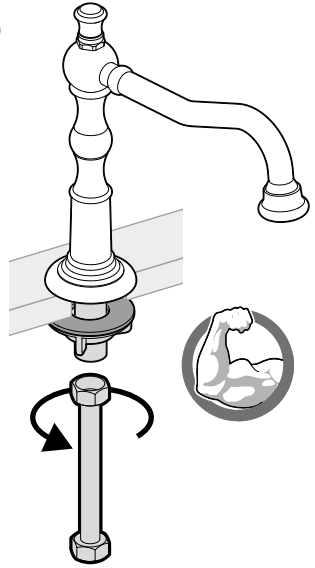




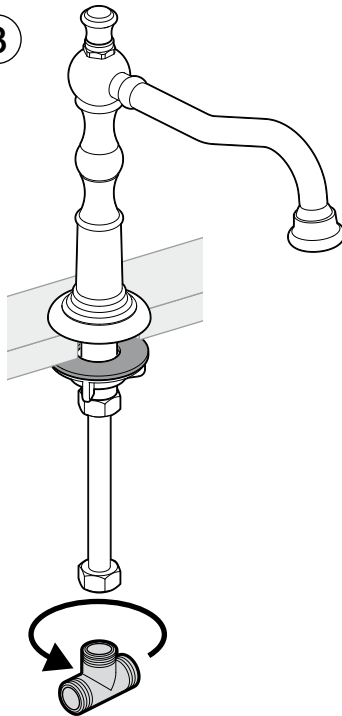
1



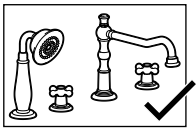
2



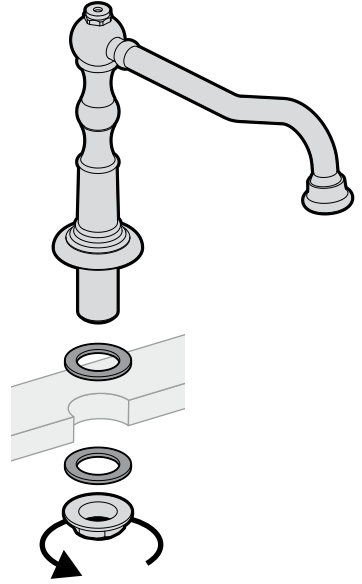
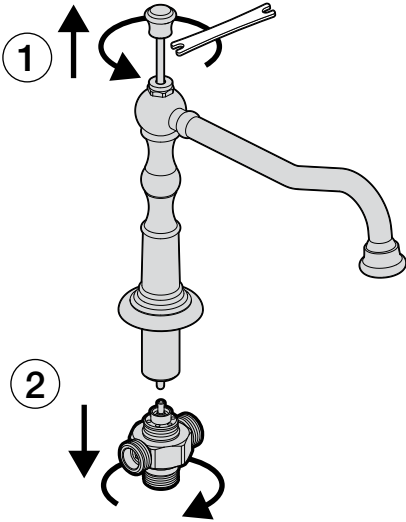
3



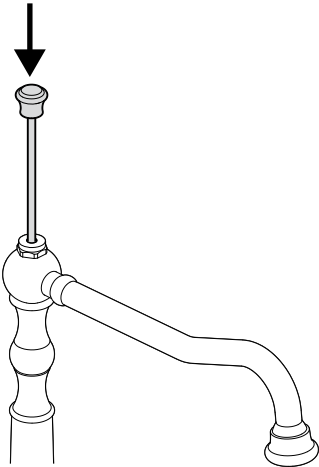




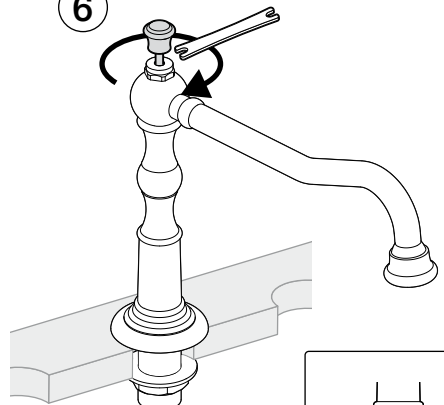
3



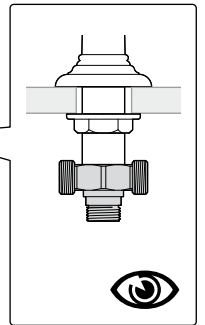
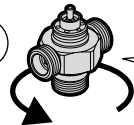
4

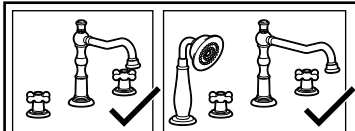


6

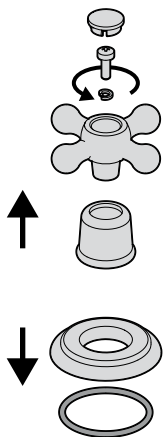


5

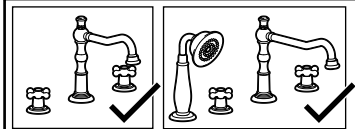
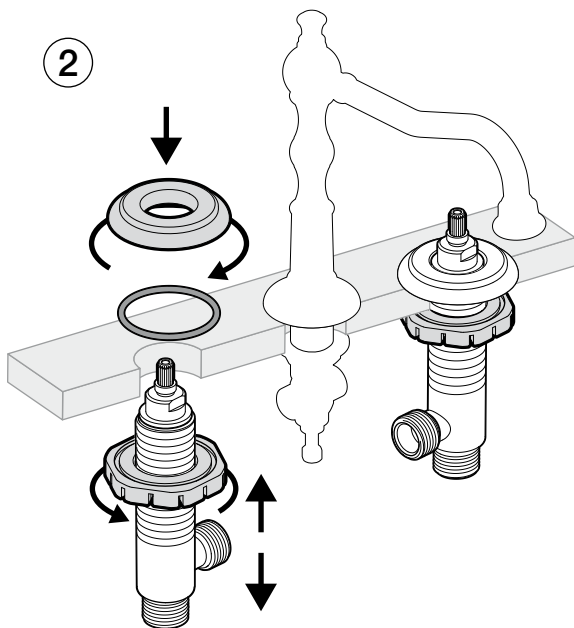




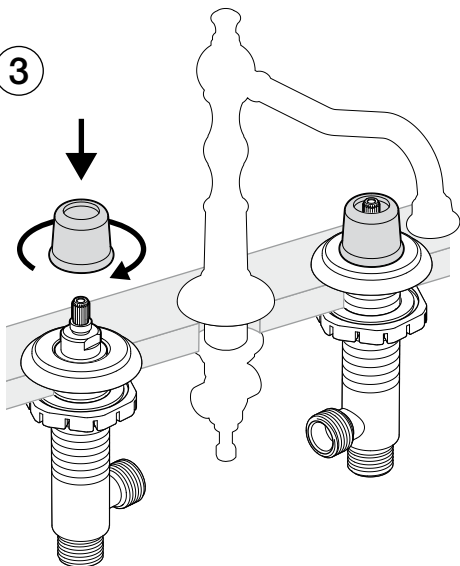
1



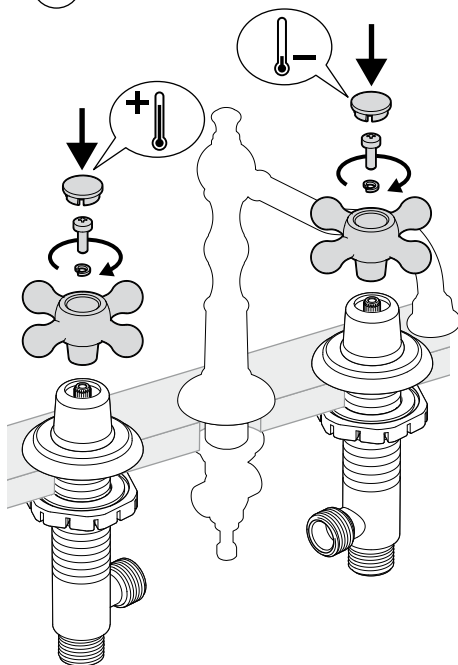
2

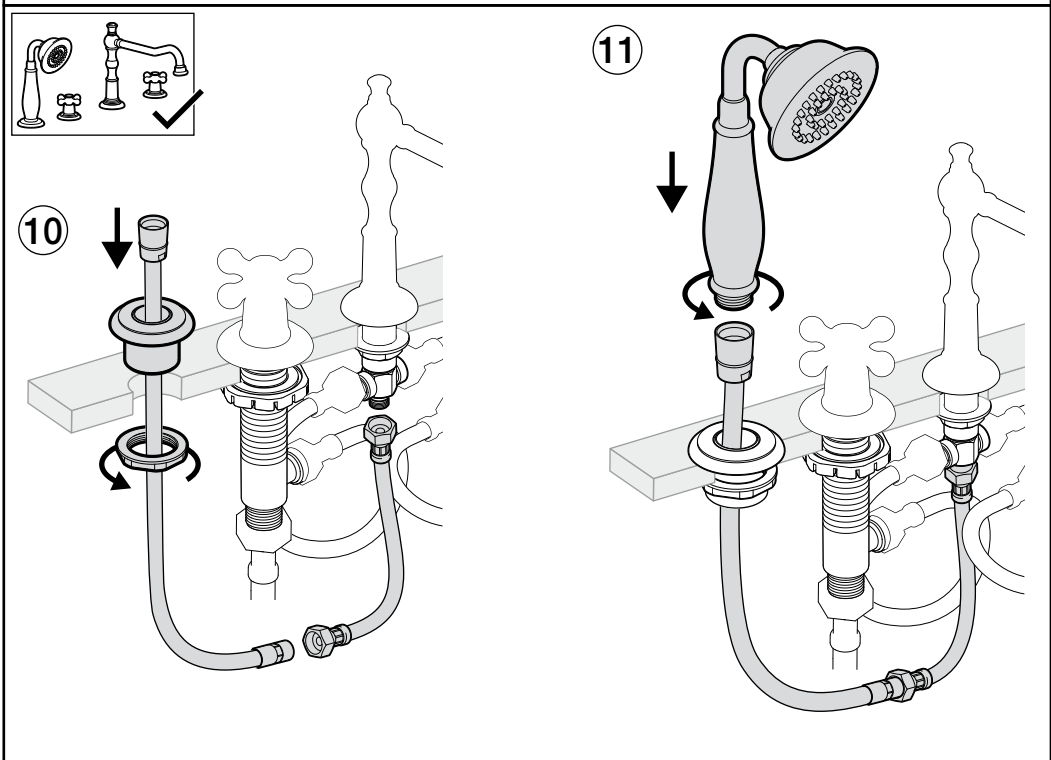
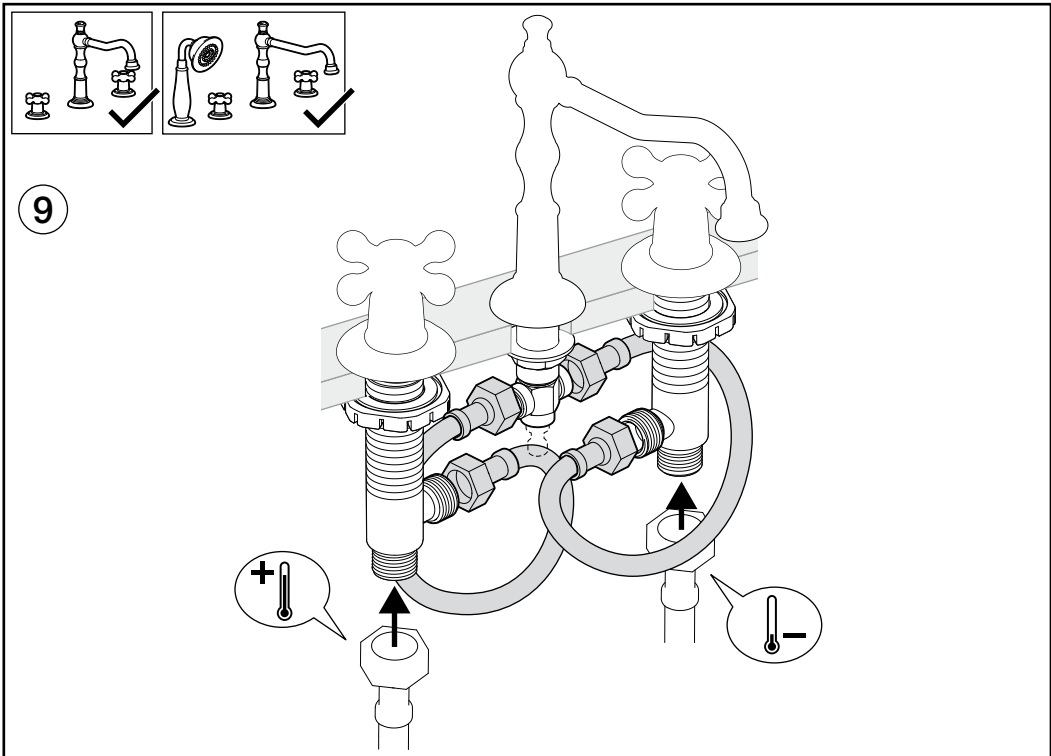


3



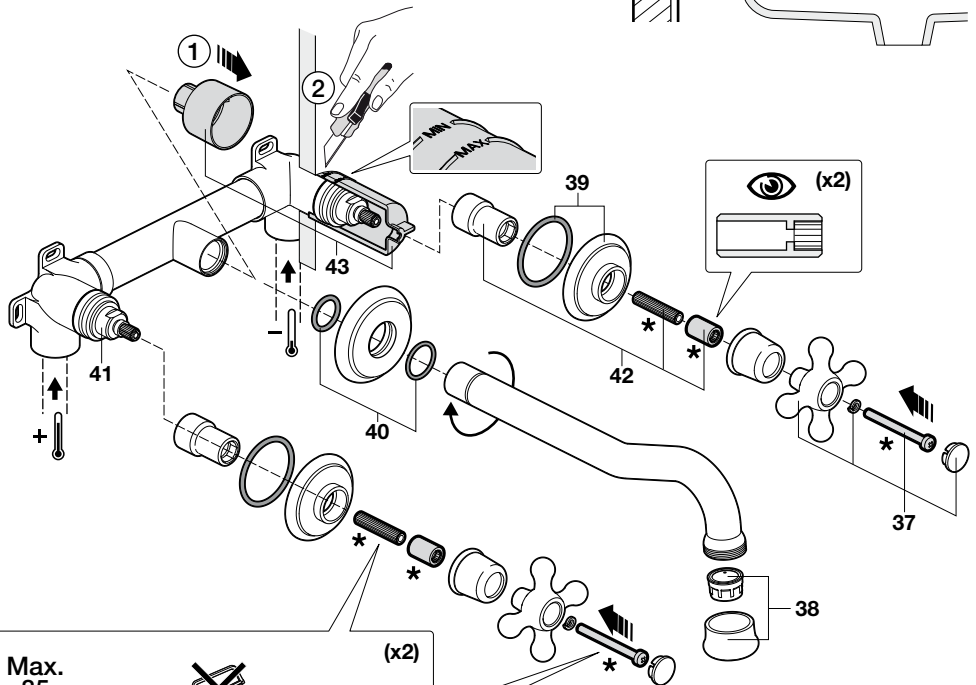
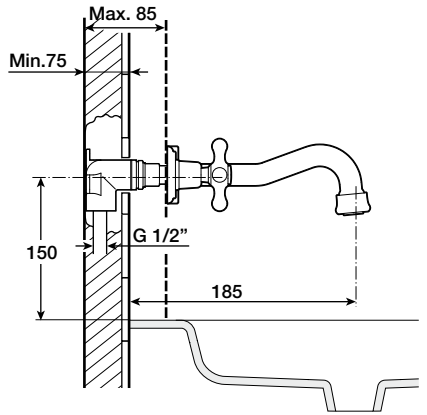
4



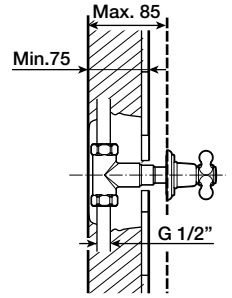




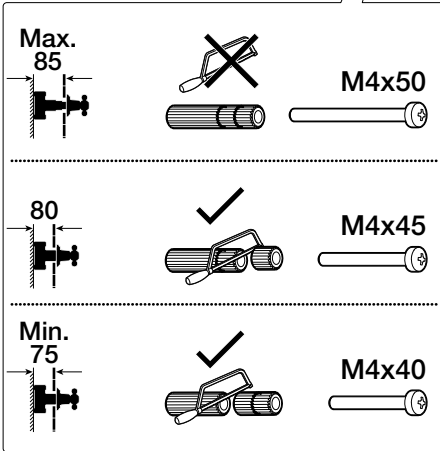
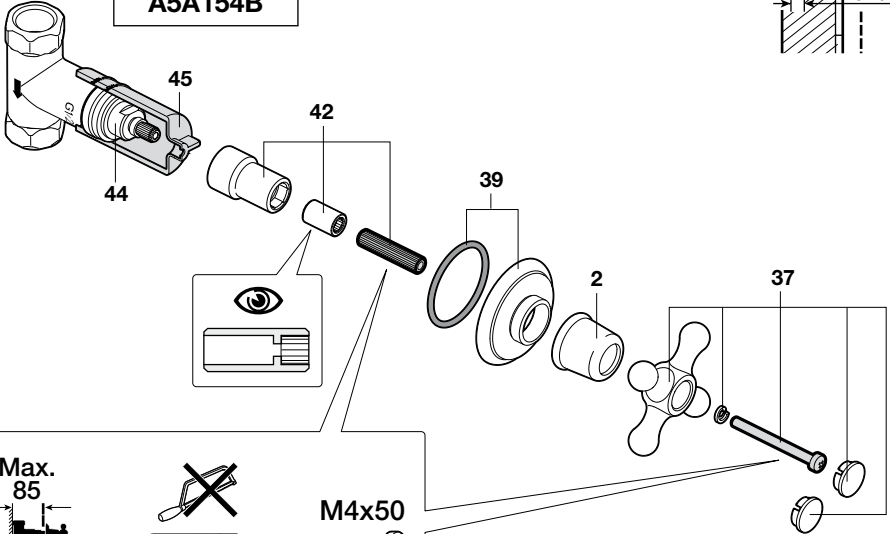
**A5A474B**



<p>Max. 85</p>		<p>(x2)</p> <p>M4x50</p>
<p>80</p>		<p>(x2)</p> <p>M4x45</p>
<p>Min. 75</p>		<p>(x2)</p> <p>M4x40</p>



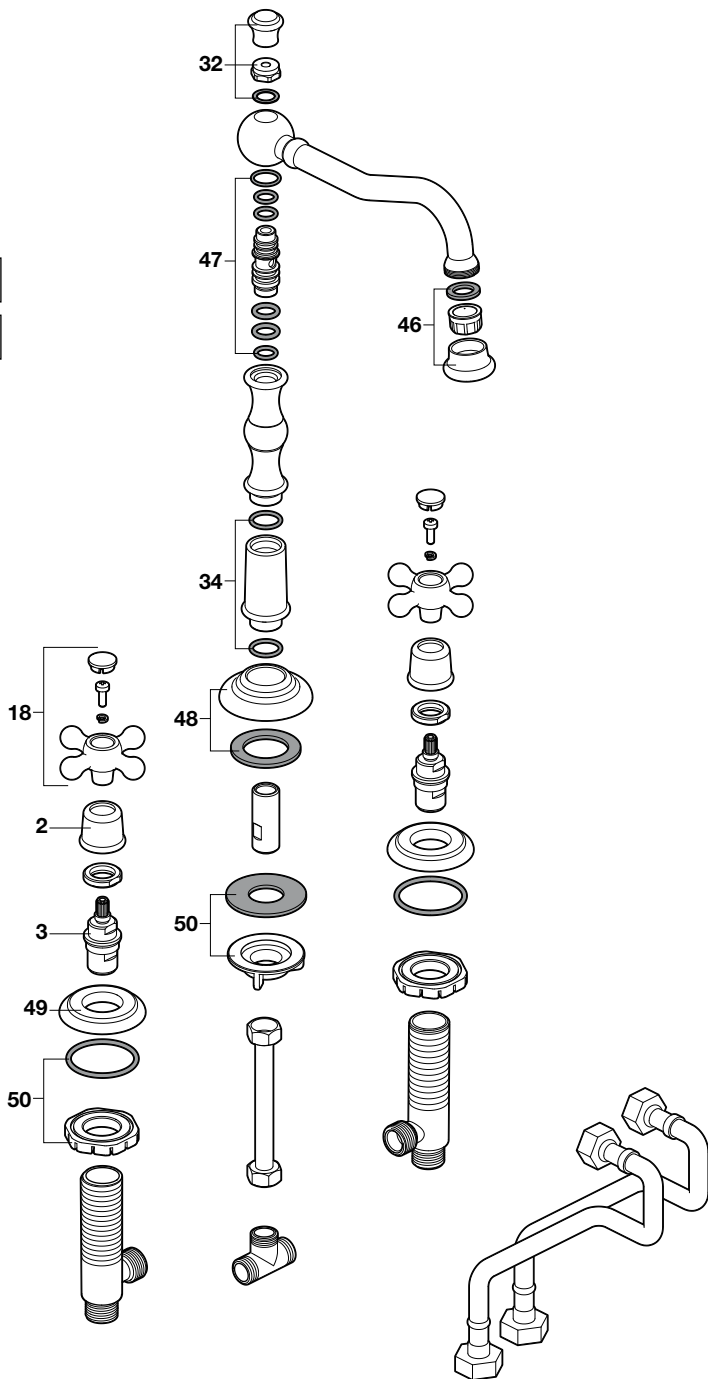
**A5A154B**





A5A444B

A5A094B





1 - AG01660..R	18 - AG01679..R	35 - AG01695..R
2 - AG01661..R	19 - AG01680..R	36 - AG01696..R
3 - AG0166200R	20 - AG01681..R	37 - AG01697..R
4 - AG01663..R	21 - AG01682..R	38 - AG01698..R
5 - AG01664..R	22 - AG01683..R	39 - AG01699..R
6 - AG0166500R	23 - AG0168400R	40 - AG01700..R
7 - AG0166800R	24 - AG0168500R	41 - AG0172400R
8 - AG0166900R	25 - AG0168600R	42 - AG0170200R
9 - AG01670..R	26 - AG0168700R	43 - AG0172500R
10 - AG01671..R	27 - A5B114B...	44 - AG0170100R
11 - AG01672..R	28 - AG0168800R	45 - AG0172600R
12 - AG01673..R	29 - AG01689..R	46 - AG01703..R
13 - AG0167400R	30 - AG0169000R	47 - AG0170400R
14 - AG0167500R	31 - AG01691..R	48 - AG01705..R
15 - AG01676..R	32 - AG01692..R	49 - AG01707..R
16 - AG01677..R	33 - AG0169300R	50 - AG0170800R
17 - AG0167800R	34 - AG0169400R	51 - AG0270900R

Sustituir (..) de la referencia del recambio por el código del acabado elegido:

In the spare part number replace (..) with the code for the chosen finish:

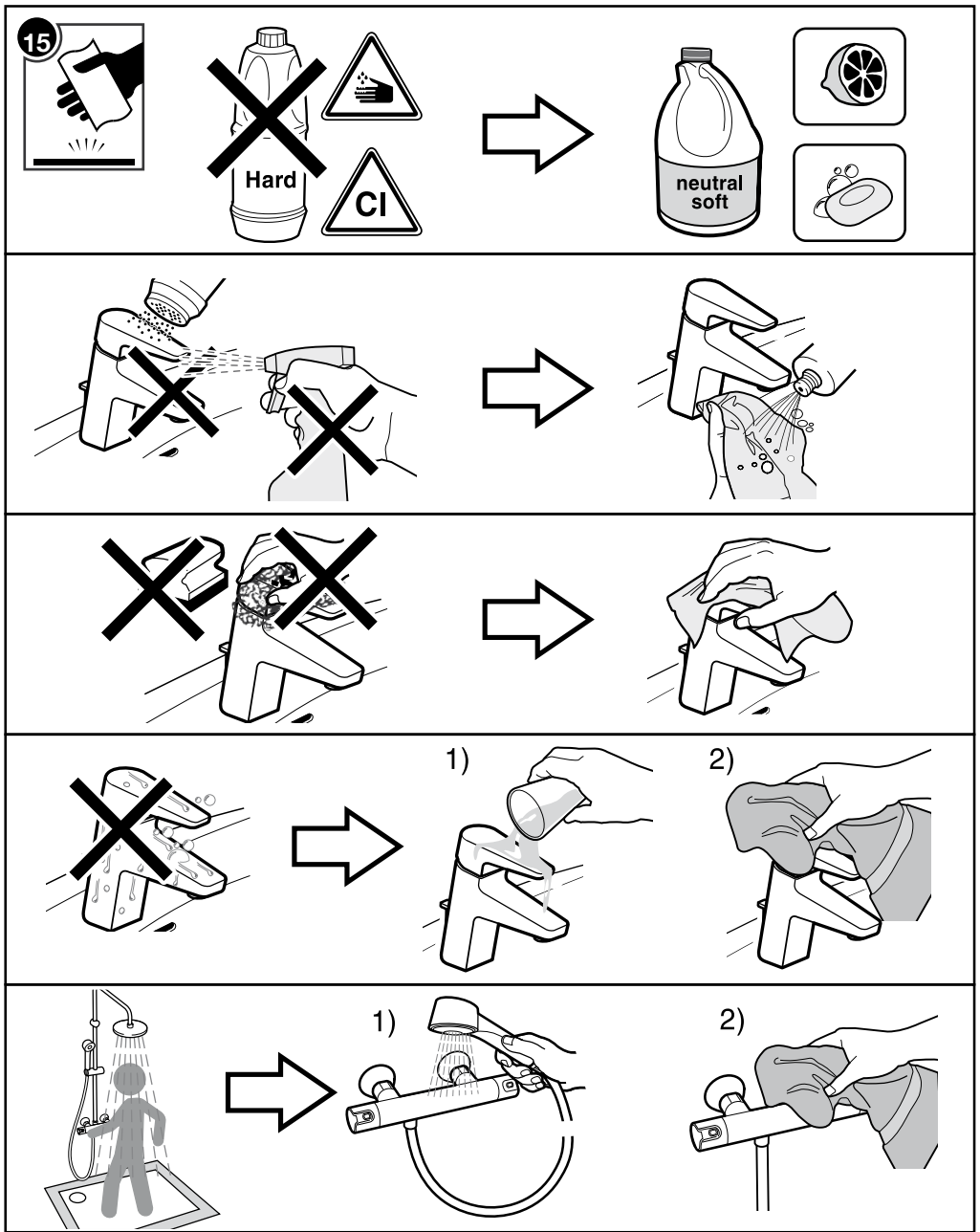
**00 Cromado / Chromed**

**CN Shiny Gold**

**NM Brushed Black**

**CM Brushed Stainless Steel**

**VA Brushed Gold**



A5630911071