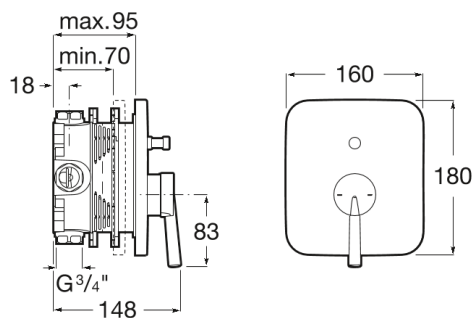


**PALS**

Built-in bath-shower mixer (2 ways) with automatic diverter. To be completed with RocaBox A525869403



**TECHNICAL DRAWINGS**



**FEATURES**

Built-in bath-shower mixer (2 ways) with automatic diverter. To be completed with RocaBox A525869403.

Application place: Shower

Faucet type: Single-lever

Finish: Chrome

Handle position: Top

Installation type: Wall-mounted

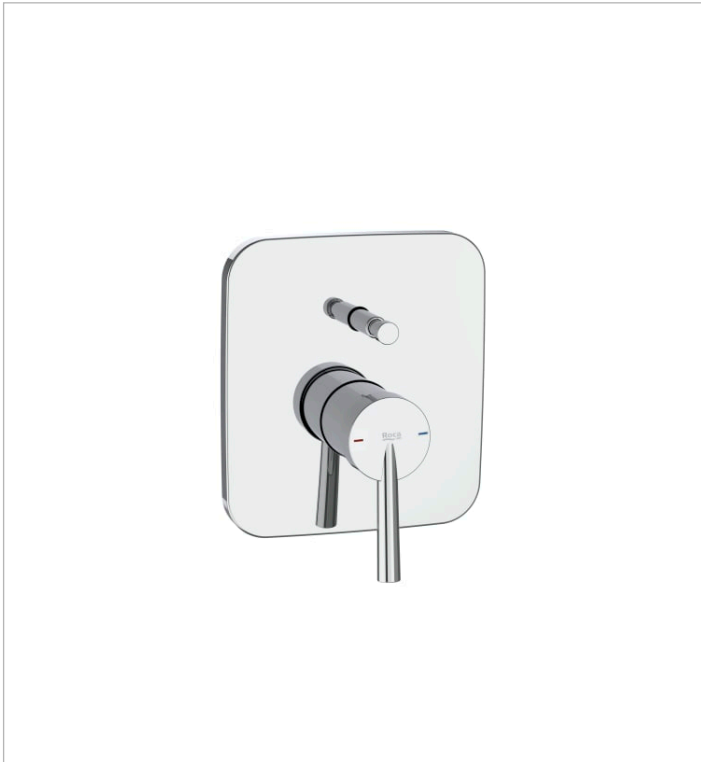
Waste type: Waste not included

COMPATIBLE WITH



Universal RocaBox for built-in installations.

525869403



## Pals

Straight lines, cylinders and different diameters come together in a modern collection with an array of configurations and originality as a distinguishing trait.



### INSTALLATION AND USER MANUALS



[Installation Handbook](#)