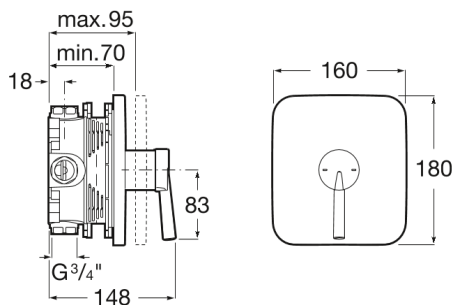




PALS

Built-in shower mixer (1 way). To be completed with RocaBox A525869403

TECHNICAL DRAWINGS



FEATURES

Built-in shower mixer (1 way). To be completed with RocaBox A525869403.

Application place: Shower

Faucet type: Single-lever

Handle position: Top

Installation type: Wall-mounted

Waste type: Waste not included



Evershine



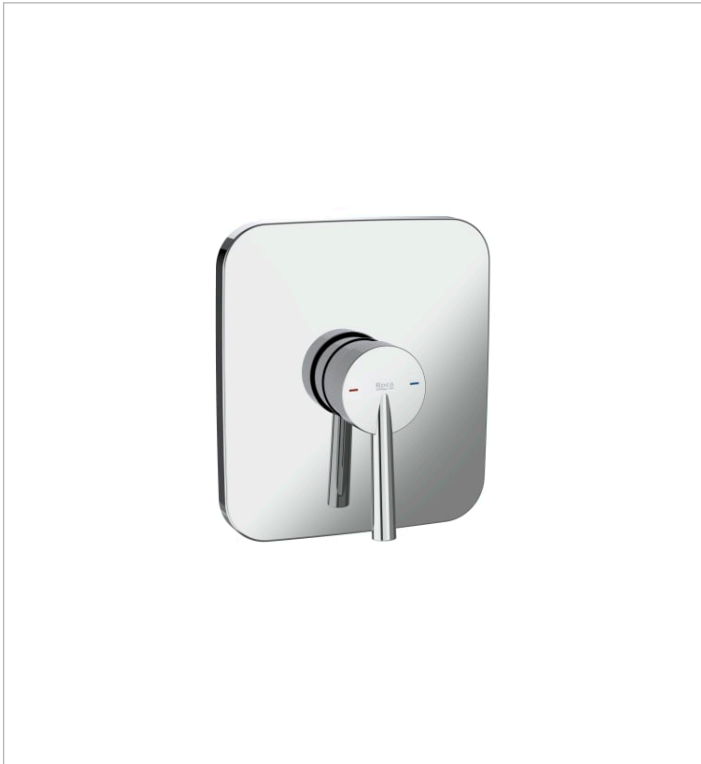
Joystick cartridge

BOUGHT TOGETHER FREQUENTLY



Universal RocaBox for
built-in installations.

525869403



Pals

Straight lines, cylinders and different diameters come together in a modern collection with an array of configurations and originality as a distinguishing trait.



INSTALLATION AND USER MANUALS



[Installation Handbook](#)