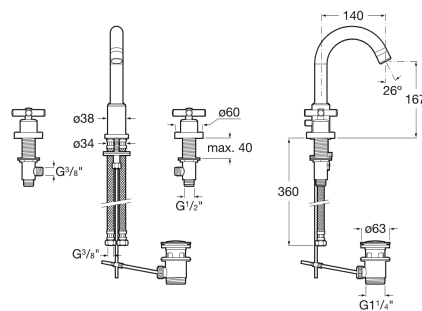




LOFT

Twin-lever basin mixer with swivel spout and pop-up waste. L-Size

TECHNICAL DRAWINGS



FEATURES

Twin-lever basin mixer with swivel spout, pop-up waste and flexible supply hoses. L-Size.

Aerator type: Integrated aerator

Application place: Basin

Faucet type: Twin-lever

Flexible supply hoses included

Installation type: Deck-mounted

Pop-up waste

Spout position: Central

Twin lever control: 1/2 Turn



Loft

The avant-garde design and the technology blend together to create strong and high-quality elements. This design is a timeless, singular and unalterable style proposal with a refined finish and the originality of its contours fill every space with elegance, precision and distinction.



INSTALLATION AND USER MANUALS



[Installation Handbook](#)