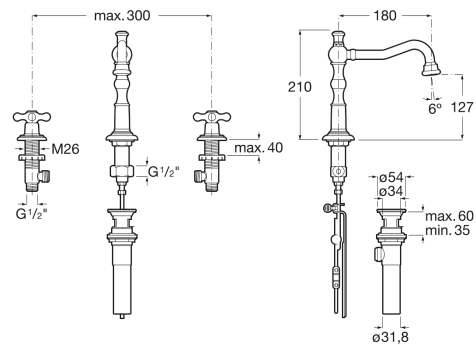




CARMEN

Deck-mounted twin-lever basin mixer, 3 holes, with central swivel spout and smooth body. M-Size

TECHNICAL DRAWINGS



FEATURES

Deck-mounted twin-lever basin mixer, 3 holes, with central swivel spout, smooth body, click-clack waste and flexible supply hoses. M-Size.

Annual energy consumption (kWh/p.a.): 321.29

Application place: Basin

Click-clack waste

Excentrics included

Faucet type: Twin-lever

Finish: Chrome

Flexible supply hoses included

Flow rate (l/min - 3 bar): 4.8

Installation type: Deck-mounted

Spout position: Central

Swivel spout

Water connection thread: 1/2"



Evershine



## Carmen

Carmen is a tribute to one of Roca's most iconic basins of the 1940s, which comes back with a clear vintage character to become a vitreous china and furniture collection with the latest innovations in the design of bathroom spaces.



### INSTALLATION AND USER MANUALS



[Installation Handbook](#)