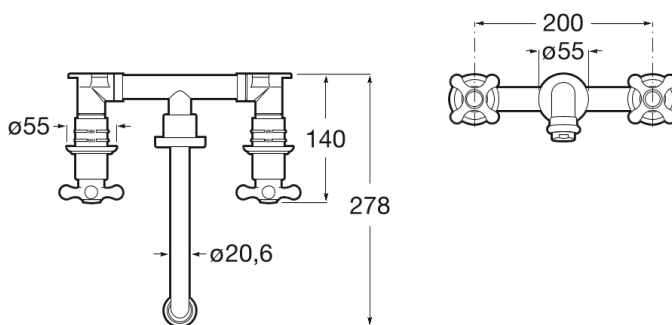


CARMEN

Built-in twin-lever basin mixer



TECHNICAL DRAWINGS



FEATURES

Built-in twin-lever basin mixer. Waste and flexible supply hoses not included.

Annual energy consumption (kWh/p.a.): 307.91

Application place: Basin

Faucet type: Twin-lever

Flow rate (l/min - 3 bar): 4.6

Installation type: Built-in



Carmen

Carmen is a tribute to one of Roca's most iconic basins of the 1940s, which comes back with a clear vintage character to become a vitreous china and furniture collection with the latest innovations in the design of bathroom spaces.



INSTALLATION AND USER MANUALS



[Installation Handbook](#)