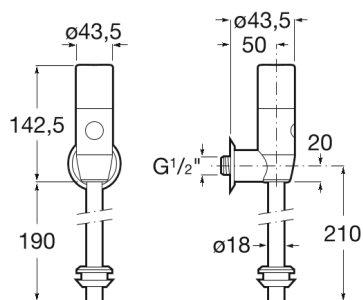


**SENTRONIC**

**Sentronic-V - Wall-mounted electronic urinal flush valve. Powered by one 9V alkaline battery. Remote control to adjust detection distance and flush duration not included**



**TECHNICAL DRAWINGS**



**FEATURES**

Wall-mounted electronic urinal flush valve. Powered by one 9V alkaline battery. Remote control to adjust detection distance and flush duration not included.

Application place: Urinal

Discharge pipe: Straight

Electronic technology

Faucet type: Electronic technology

Finish: Chrome

Installation type: Wall-mounted

Power supply: Batteries

Water and energy saving

BOUGHT TOGETHER FREQUENTLY



Urinal with top inlet

353330..1



Urinal with top inlet

35945L..0



## Sentronic

A collection of electronic valves with different design to fit any urinal and style.



### INSTALLATION AND USER MANUALS



[Installation Handbook](#)