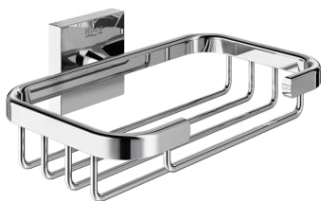


CUBICA

Grated container



DIMENSIONS

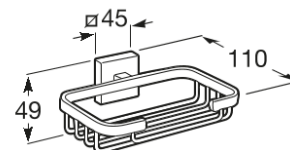
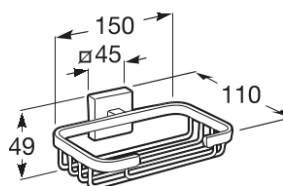
Length 110 mm
 Width 49 mm
 Height 150 mm

COLOURS AND FINISHES



01 Polished

TECHNICAL DRAWINGS



FEATURES

Finish: Chrome

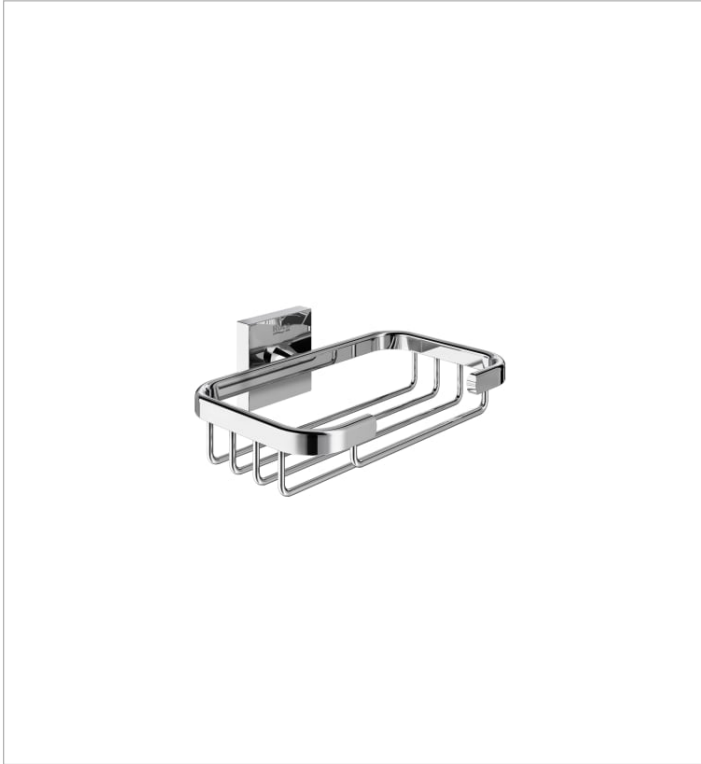
Fixing kit: Included

Installation options: Only with screws

Installation type: Wall-mounted

Material: Metal

Maximum weight supported (Kg): 5



Cubica

Metal and glass are the stars of a collection of accessories that plays with basic geometries. Cubica is based on the essential shapes to provide practical and functional designs.

